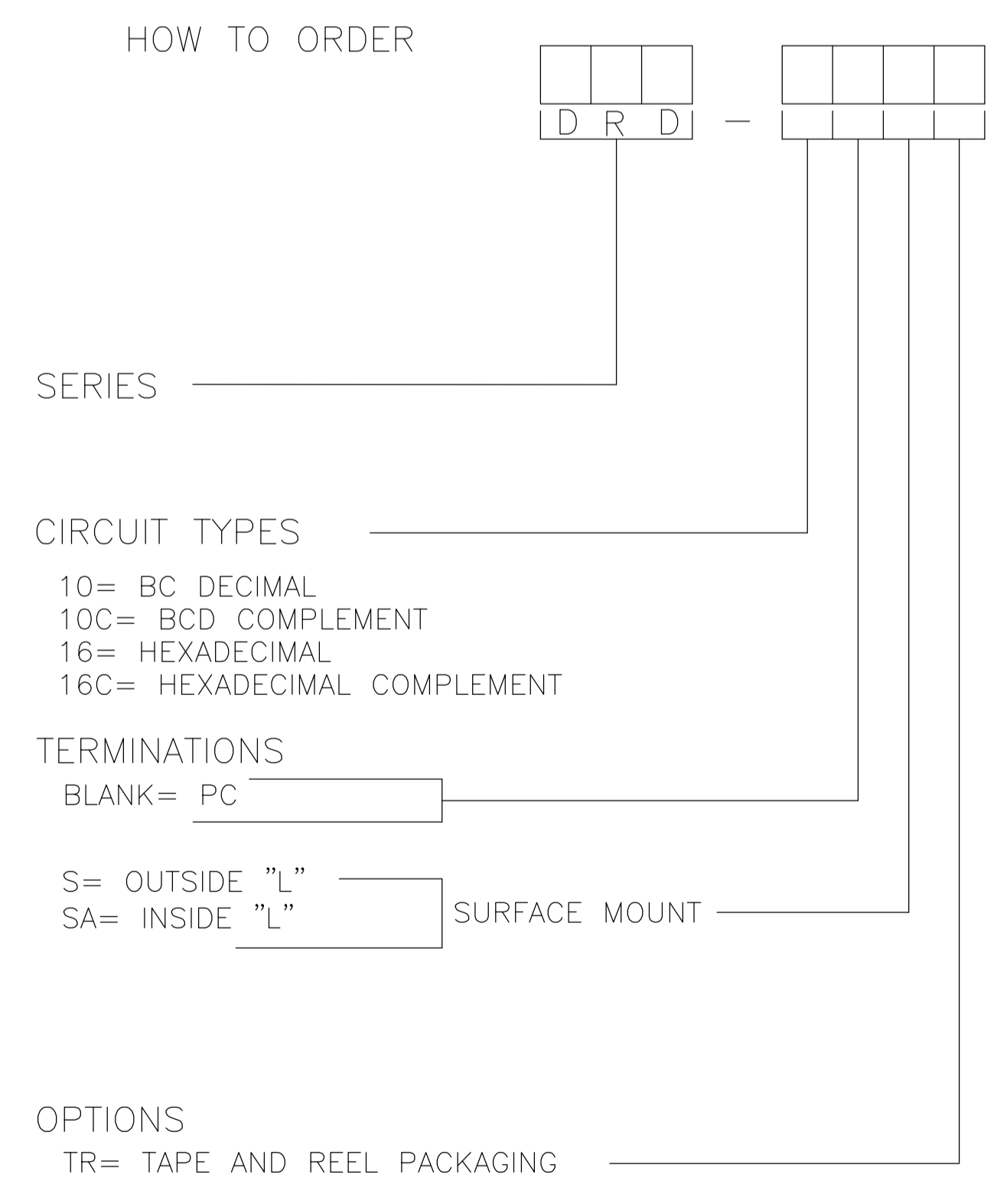


PC MOUNT



SPECIFICATIONS:

MATERIAL:
 FRAME & CASE- PPS UL94V-0, BLACK
 ROTOR, PA6T UL94V-0, COLOR SEE P/N TABLE
 FIXED CONTACT/TERMINAL- COPPER ALLOY, GOLD FLASH OVER NICKEL PLATE
 MOVING CONTACT- COPPER ALLOY, GOLD FLASH OVER NICKEL PLATE
 BALL SUPPORT PLATE- COPPER ALLOY
 BALL- STAINLESS STEEL
 DETENT SPRING- STAINLESS STEEL
 O-RING- SILICON RUBBER

ELECTRICAL:
 CONTACT RATING- 0.4VA@ 20V DC OR PEAK AC
 INITIAL CONTACT RESISTANCE- 50 MILLIOHMS MAX
 INSULATION RESISTANCE- 1,000 MEGOHMS@100V DC
 DIELECTRIC STRENGTH- 300V AC
 LIFE EXPECTANCY- 10,000 ROTATIONS

MECHANICAL:
 OPERATING FORCE- 13.88 OZF.IN. MAX

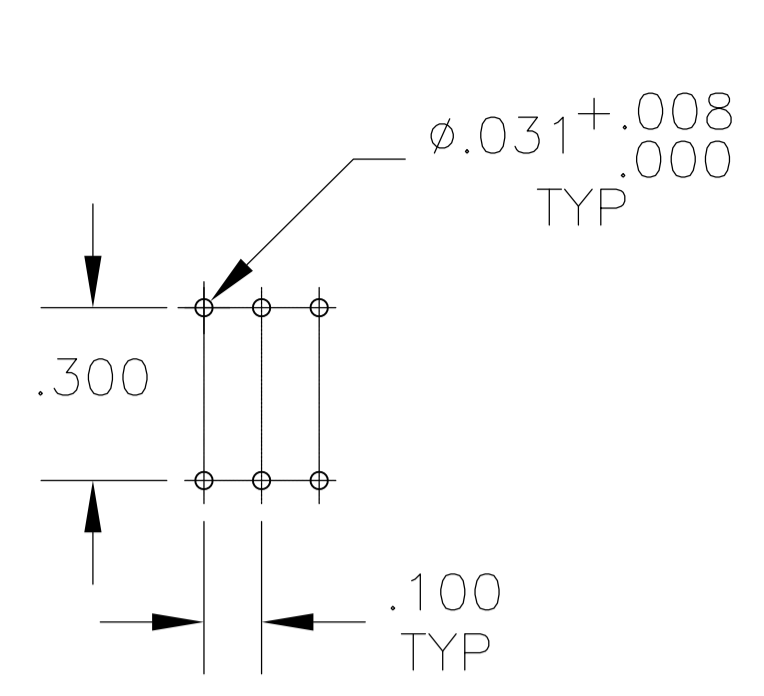
ENVIRONMENTAL:
 OPERATING TEMPERATURE- -30°C TO +85°C
 STORAGE TEMPERATURE- -45°C TO +100°C
 RESISTANCE TO SOLDER HEAT-PER 109-202, COND B (THRU-HOLE) OR 109-201, COND B (SMT)
 SOLDERABILITY-PER JIS C 0050 & JIS C 0053

NOTES:

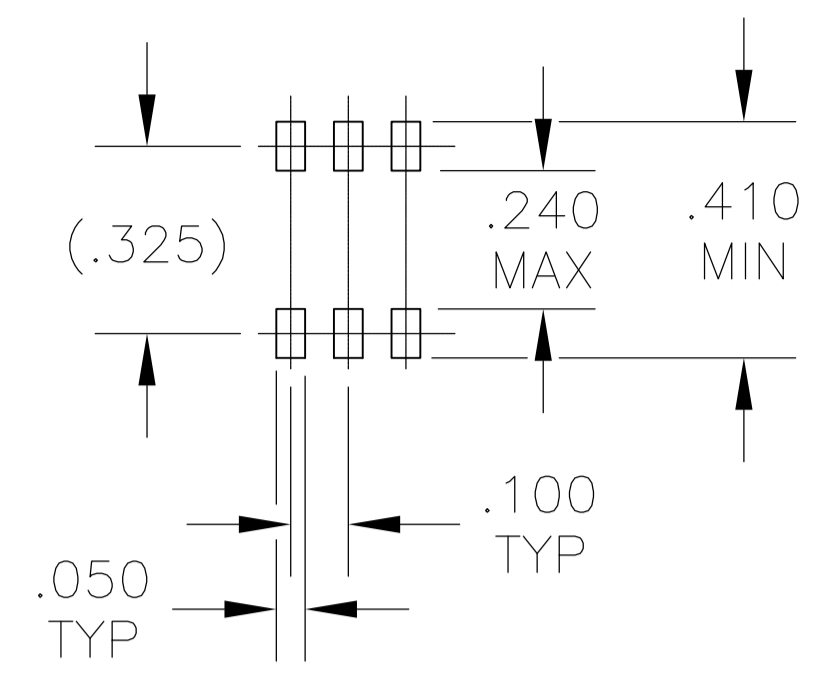
- ALL MATERIALS AND FINISHES SHALL COMPLY WITH EU DIRECTIVE 2002/95/EC OF 27JAN2003 (ROHS).
 - TAPE & REEL PACKAGING PER EIA-481.
 - COMMON TERMINALS ARE CONNECTED INTERNALLY.
- ⚠ LOCATE 'ALCO' TRADE NAME AND LOT NUMBER MARKING. LOT NUMBER TO BE MARKED AS FOLLOW:
- | | |
|-----------|-----------|
| 4 | F |
| 1ST DIGIT | 2ND DIGIT |
| YEAR 1194 | MONTH 6 |
- MARK WITH PERMANENT WHITE INK.
- ⚠ TOP TAPE SEAL INCLUDED.

THRU-HOLE	BLACK	BLACK	DRD16ET04	2-1825007-2
THRU-HOLE	RED	BLACK	DRD10ET04	2-1825007-1
SMT	BLACK	BLACK	DRD16SETR04	2-1825007-0
SMT	BLACK	BLACK	DRD16SAETR04	1-1825007-9
SMT	BLACK	BLACK	DRD16SE04	1-1825007-8
SMT	BLACK	BLACK	DRD16SAE04	1-1825007-7
THRU-HOLE	BLACK	BLACK	DRD16E04	1-1825007-6
SMT	WHITE	BLACK	DRD16CSETR04	1-1825007-5
SMT	WHITE	BLACK	DRD16CSAETR04	1-1825007-4
SMT	WHITE	BLACK	DRD16CSE04	1-1825007-3
SMT	WHITE	BLACK	DRD16CSAE04	1-1825007-2
THRU-HOLE	WHITE	BLACK	DRD16CE04	1-1825007-1
SMT	RED	BLACK	DRD10SETR04	1-1825007-0
SMT	RED	BLACK	DRD10SAETR04	1825007-9
SMT	RED	BLACK	DRD10SE04	1825007-8
SMT	RED	BLACK	DRD10SAE04	1825007-7
THRU-HOLE	RED	BLACK	DRD10E04	1825007-6
SMT	ORANGE	BLACK	DRD10CSETR04	1825007-5
SMT	ORANGE	BLACK	DRD10CSAETR04	1825007-4
SMT	ORANGE	BLACK	DRD10CSE04	1825007-3
SMT	ORANGE	BLACK	DRD10CSAE04	1825007-2
THRU-HOLE	ORANGE	BLACK	DRD10CE04	1825007-1
MTG TYPE	ROTOR COLOR	CASE COLOR	ALCO P/N	PART NO.

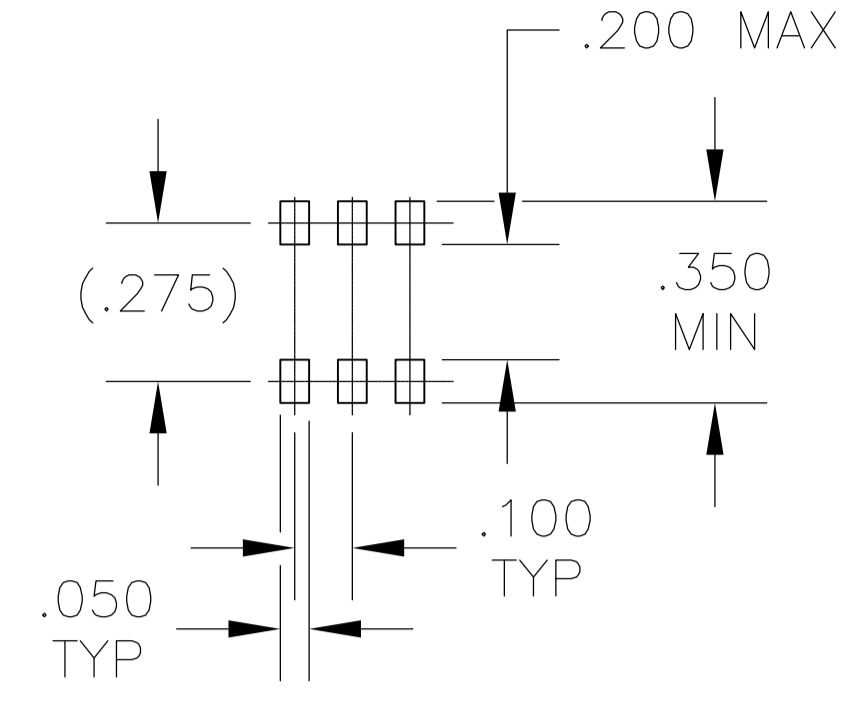
THIS DRAWING IS A CONTROLLED DOCUMENT.		DIN	B.S.VISWESWARA	10MAY05	 TE Connectivity
DIMENSIONS: INCHES		CHK	M.S.SARVER	APVD	
TOLERANCES UNLESS OTHERWISE SPECIFIED:		PRODUCT SPEC: ROTARY DIP DRD E SERIES			
0 PLC ± - 1 PLC ± - 2 PLC ± - 3 PLC ± .010 4 PLC ± - ANGLES ± 1°		APPLICATION SPEC:			
MATERIAL: SEE NOTE		WEIGHT: -		SIZE: A1	CUSTOMER DRAWING SCALE: 4:1 SHEET: 1 OF 2 REV: A4



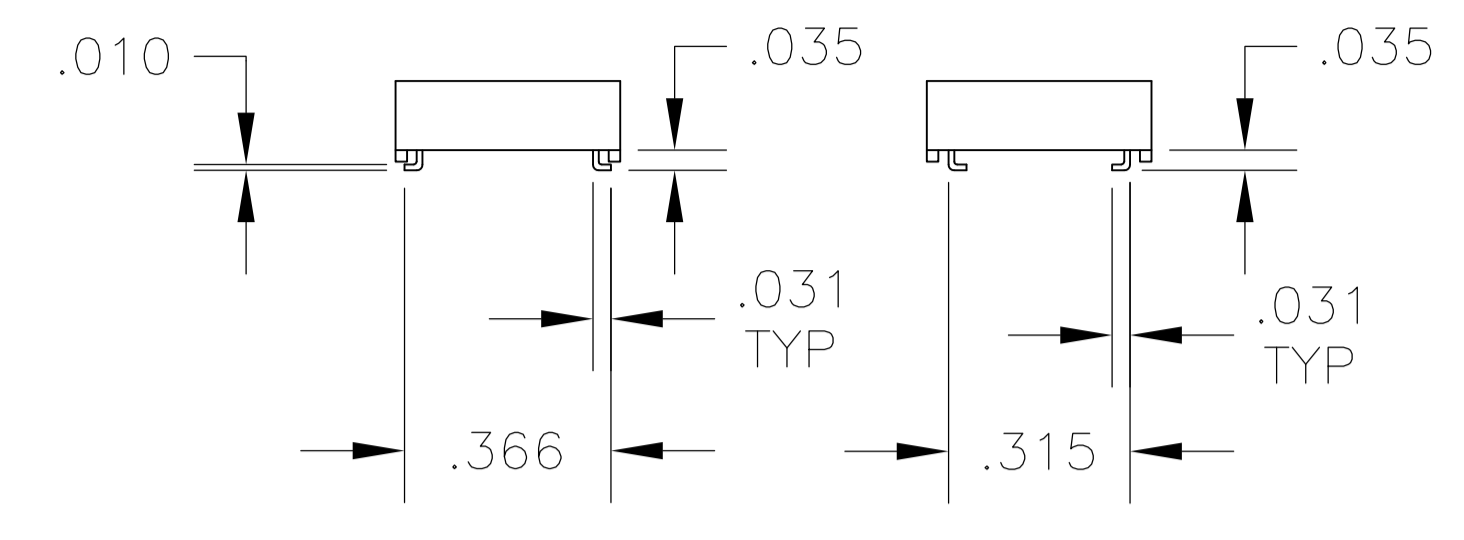
PC



OUTSIDE "L"



INSIDE "L"



OUTSIDE "L" TERMINAL VERTICAL

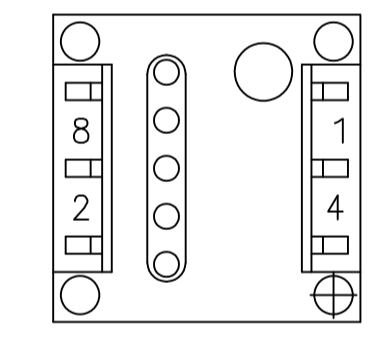
INSIDE "L" TERMINAL VERTICAL

PRINTED CIRCUIT BOARD LAYOUTS

TERMINAL CONFIGURATIONS

TRUTH TABLES

TERMINAL IDENTIFICATION (VIEWED FROM BOTTOM OF SWITCH)



10-POSITION, BCD ROTOR - RED

POS	0	1	2	3	4	5	6	7	8	9
C	X	X	X	X	X	X	X	X	X	X
1		X		X		X		X		X
2			X	X			X	X		
4					X	X	X	X		
8									X	X

16-POSITION, HEXADECIMAL ROTOR - BLACK

POS	0	1	2	3	4	5	6	7	8	9	A	B	C	D	E	F
C	X	X	X	X	X	X	X	X	X	X	X	X	X	X	X	X
1		X		X		X		X		X		X		X		X
2			X	X			X	X			X	X			X	X
4					X	X	X	X				X	X	X	X	X
8									X	X	X	X	X	X	X	X

10 POSITION, BCD COMPLEMENT ROTOR - ORANGE

POS	0	1	2	3	4	5	6	7	8	9
\bar{C}	X	X	X	X	X	X	X	X	X	X
$\bar{1}$	X		X		X		X		X	
$\bar{2}$	X	X			X	X			X	X
$\bar{4}$	X	X	X	X					X	X
$\bar{8}$	X	X	X	X	X	X	X	X		

16-POSITION, HEXADECIMAL COMPLEMENT ROTOR - WHITE

POS	0	1	2	3	4	5	6	7	8	9	A	B	C	D	E	F
\bar{C}	X	X	X	X	X	X	X	X	X	X	X	X	X	X	X	X
$\bar{1}$	X		X		X		X		X		X		X		X	
$\bar{2}$	X	X			X	X			X	X			X	X		
$\bar{4}$	X	X	X	X					X	X	X	X				
$\bar{8}$	X	X	X	X	X	X	X	X								

THIS DRAWING IS A CONTROLLED DOCUMENT. DIMENSIONS: INCHES. TOLERANCES UNLESS OTHERWISE SPECIFIED: 0. PLC ± .010, 1. PLC ± .010, 2. PLC ± .010, 3. PLC ± .010, 4. PLC ± .010, ANGLES ± .1°.

DIN: B.S.VISWESWARA, 10MAY05. CHK: M.S.SARVER. NAME: M.S.SARVER. PRODUCT SPEC: -. APPLICATION SPEC: -. MATERIAL: SEE NOTE. FINISH: -. WEIGHT: -. CUSTOMER DRAWING.

SCALE: 2:1. SHEET: 2 OF 2. REV: A4.

STE TE Connectivity. ROTARY DIP DRD E SERIES.

SIZE: A1. CAGE CODE: 00779. DRAWING NO: 1825007. RESTRICTED TO: -. WEIGHT: -. CUSTOMER DRAWING.